

ENTRACOMP® 28SA *Plus*

Smart Access Control Unit



The ENTRACOMP® 28SA Plus is a highly sophisticated, yet simple to use, card access control unit for single or multi-door applications. Simply place the card on the stainless steel TOUCH CARD® Reader plate, and the card is read instantly and accurately. Patented slotless TOUCH CARD® Reader technology protects the unit from weather and vandalism.

The unit may be programmed with a PC either locally or with the use of a modem. Basic programming functions can also be accomplished by using programming cards. Transaction information is stored by the unit and may be downloaded to a PC or printer. Up to 128 28SA *Plus* units can be connected together in a single twisted pair RS-485 network using optional SK-NM485 Modules and SK-NET™ Software for Windows® 95/ 98/NT/2000.

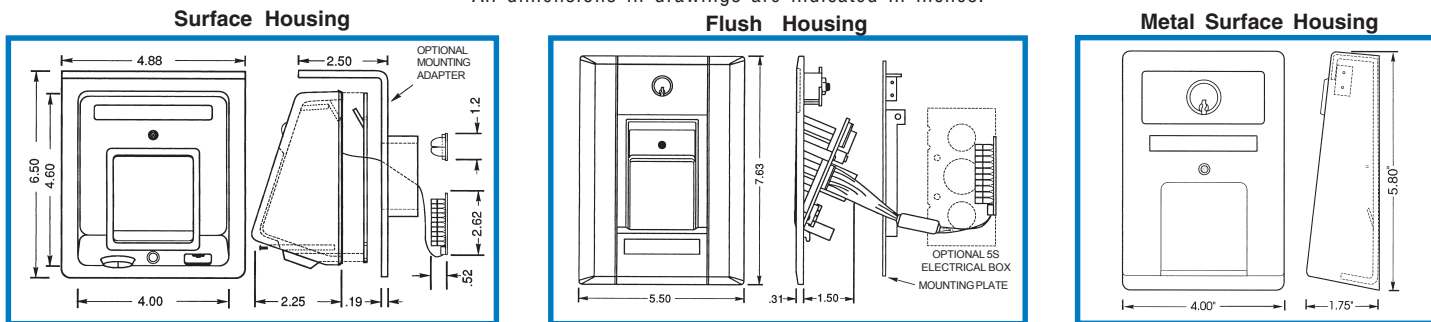
A remote reader (SK-029W) may be connected to the ENTRACOMP® 28SA *Plus* to allow access control in both directions through a single passageway, including true IN/OUT anti-passback capability. Three inputs are provided which are user programmable as Door Monitor, Tamper Monitor, Remote Inactive, Remote Open, Arming Circuit, Bell, or User Defined. The limited use feature allows cards to be programmed to work for a specified number of uses, days, weeks, or days after the first use.

- 65,500 Card Capacity
- 5,000 Stored Transactions
- 15 Time Zones / 32 Holidays
- Connect up to 128 Units with Optional SK-NM485 Module and SK-NET™ Software
- Audit Trail - Upload to PC or Connect to Serial Printer
- Modem Capability for Remote Locations
- TCP/IP Capability for LAN Connection
- Weather Resistant for Outdoor Installation
- True IN/OUT or Timed Antipassback



ENTRACOMP® 28SA *plus*

All dimensions in drawings are indicated in inches.



PHYSICAL

	Surface Housing	Flush Housing	Metal Housing
Depth	2.25" (5.72 cm)	1.50" (3.81 cm)	1.75" (4.45 cm)
Width	4.00" (10.16 cm)	5.50" (13.97cm)	4.00" (10.16 cm)
Height	4.60" (11.68 cm)	7.63" (19.38 cm)	5.80" (14.73 cm)
Weight	17 oz. (0.48 kg)	15 oz. (0.43 kg)	42 oz. (1.19 kg)
Material	Lexan® (Meets UL 94)	Lexan® (Meets UL 94)	All Steel
Color	Beige	Beige	Gray

POWER REQUIREMENTS

Without Remote Reader	12-24 VAC or DC, 125 mA
With Remote Reader (SK-029W)	12-16 VAC or DC, 250 mA

OUTPUTS

Latch & Alarm Shunt	DPDT contact, 3A, up to 277 VAC or 30 VDC
Tamper (optional)	SPDT contact, 115 VAC, 2A maximum

INPUTS

Auxiliary 1 (Door Monitor)*	Requires SPST contact closure
Auxiliary 2 (Disabled)*	Requires SPST contact closure
Auxiliary 3 (Disabled)*	Requires SPST contact closure

*Factory Default - can be changed via PC.

COMMUNICATION

RS-232 (5-Wire Shielded Cable)	Serial RS-232. Up to 38.4K baud, full duplex, (8N1)
RS-485 (Single Twisted Pair)	Requires Optional SK-NM485 Network Module. See Separate Data Sheet for specifications.
Remote Reader	31 bit or 26 bit Wiegand type input 10-21 VDC @ 150 mA supplied to remote reader, depending on input voltage supplied to 28SA <i>Plus</i>
Modem	Requires Hayes compatible - 1.2 to 38.4k baud
LAN	Requires external device server
Printer	Serial Printer (or Parallel printer with serial converter)

ENVIRONMENT

Ambient Temperature	-40° F to 158° F (-40° C to 70° C)
Humidity	0% to 95% relative humidity (non-condensing)

OPERATIONAL

Memory	Non-volatile
Card Capacity	65,500
Limited Use Cards	4,000 programmable from 1-500 uses, days, weeks
Transaction Storage	5,000 events
Time Zones	15 for card access, 1 door unlock time zone; full week plus holiday in one-half hour segments; 32 programmable holidays; selectable automatic daylight saving time.
Facility Code	Up to 3 different codes simultaneously. (Max. # of cards 65,500)
Latch/Alarm Shunt Timer	Programmable from 1/4 to 30 seconds
Antipassback	Real or Timed (1 to 30 minutes); hard or soft
Auxiliary Inputs (3)	Programmable for door monitor, tamper monitor, remote open, remote inactive, bell, arming circuit or user defined

This product complies with UL 294 Standards, CE (European Standards), and with Part 15 of Class B FCC Rules.

WARRANTY (U.S. and Canadian)

"This product is warranted against defects in materials and workmanship for a period of 2 years from the date of purchase. Secura Key shall, at its option, either replace or repair this product, if returned to us freight prepaid within the warranty period. This warranty does not include freight, taxes, duties, or installation expenses. THE WARRANTY SET FORTH ABOVE IS EXCLUSIVE AND NO OTHER WARRANTY, WHETHER WRITTEN OR ORAL, IS EXPRESSED OR IMPLIED. SECURA KEY SPECIFICALLY DISCLAIMS ANY IMPLIED WARRANTIES OR MERCHANTABILITY AND FITNESS FOR A PARTICULAR PURPOSE. The remedies provided herein are the buyers' sole and exclusive remedies. In no event shall Secura Key be liable for direct, indirect, special, incidental or consequential damages (including loss of profits), whether based on contract, tort or any other legal theory." Contact Secura Key for Card/Tag and Export Warranty Policies.

DISTRIBUTED BY:

Secura Key
A Division of SOUNDCRAFT Inc.

20447 NORDHOFF STREET
CHATSWORTH, CA 91311
PHONE (818) 882-0020 • FAX (818) 882-7052
TOLL FREE (800) 891-0020
E-mail: mail@securakey.com
Web site: www.securakey.com