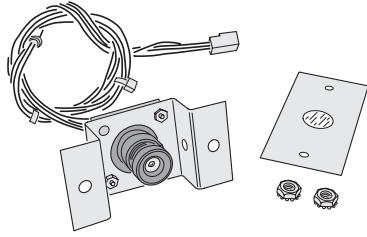


# CCM-1

## Color Camera Module



### Installation Instructions

**Linear**

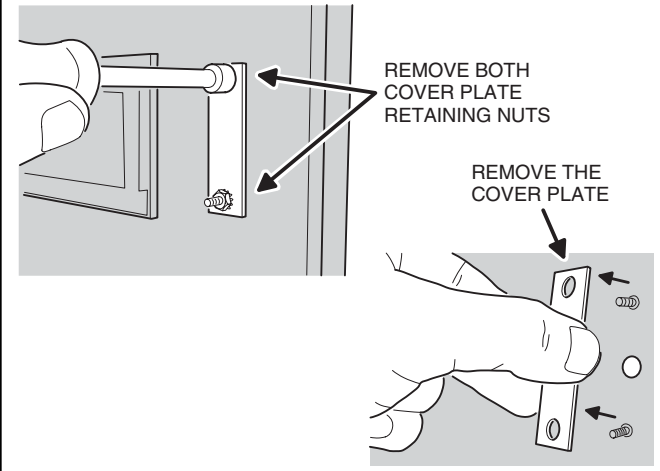
(760) 438-7000 • FAX (760) 438-7043  
USA & Canada (800) 421-1587 & (800) 392-0123  
Toll Free FAX (800) 468-1340  
www.linearcorp.com

### PRODUCT DESCRIPTION

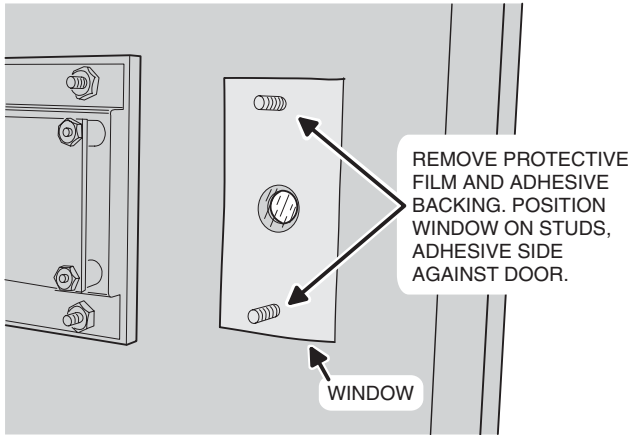
Linear's Model CCM-1 (P/N ACP00904) CCTV camera can be installed inside the AE-1000 or AE-2000 access control systems. The camera provides a video signal for viewing the area in front of the system. The camera is continuously powered by the access system. Focus has been factory adjusted to a range of three to four feet. The AE-1000 and AE-2000 provide a video jack for connection to a video cable with a Type "BNC" connector. Up to 400 feet of 75-ohm RG-59 video cable can be used. Longer cable runs may require the use of a video amplifier.

**NOTE: If camera is being installed on an existing installation, system power should be off prior to installing the camera.**

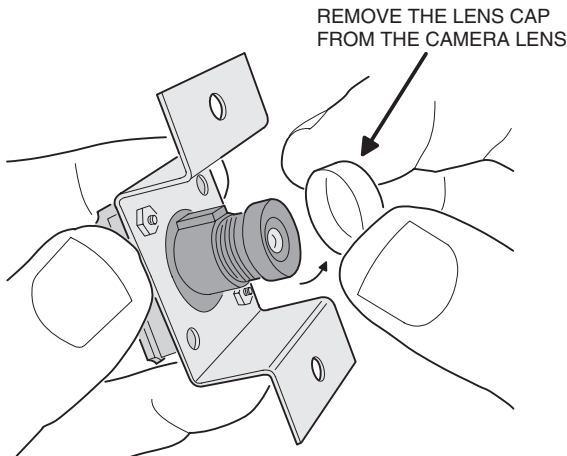
### 1. REMOVE THE COVER PLATE



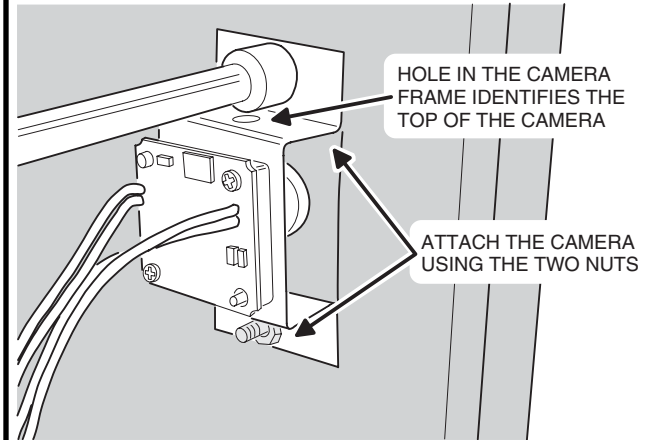
### 2. INSTALL THE WINDOW



### 3. REMOVE THE LENS CAP

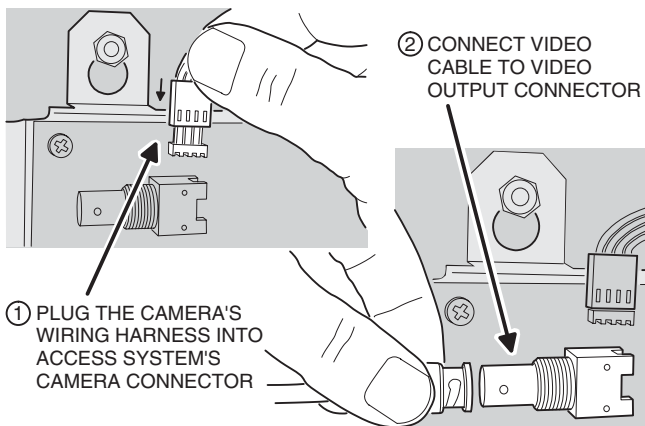


### 4. INSTALL THE CAMERA



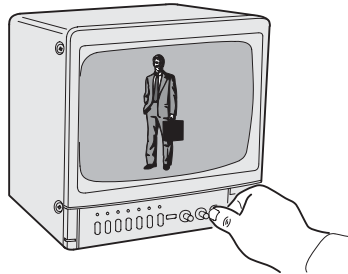
### 5. CONNECT THE CAMERA AND VIDEO CABLE

**CAUTION! BE SURE THE SYSTEM POWER IS OFF**



### 6. TEST CAMERA

APPLY POWER TO THE ACCESS SYSTEM THEN VIEW THE VIDEO MONITOR TO TEST THE VIDEO OUTPUT FROM THE CAMERA



SMALL ADJUSTMENTS FOR TILT CAN BE MADE BY ADJUSTING THE CAMERA'S BRACKET

### LINEAR LIMITED WARRANTY

This Linear product is warranted against defects in material and workmanship for twenty four (24) months. The Warranty Expiration Date is labeled on the product. This warranty extends only to wholesale customers who buy direct from Linear or through Linear's normal distribution channels. Linear does not warrant this product to consumers. Consumers should inquire from their selling dealer as to the nature of the dealer's warranty, if any. **There are no obligations or liabilities on the part of Linear Corporation for consequential damages arising out of or in connection with use or performance of this product or other indirect damages with respect to loss of property, revenue, or profit, or cost of removal, installation, or reinstallation.** All implied warranties, including implied warranties for merchantability and implied warranties for fitness, are valid only until Warranty Expiration Date as labeled on the product. **This Linear Corporation Warranty is in lieu of all other warranties express or implied.**

All products returned for warranty service require a Return Product Authorization Number (RPA#). Contact Linear Technical Services at 1-800-421-1587 for an RPA# and other important details.